



Figure 1. 750mA Power Supply Module
图 1. 750mA系统电源模块

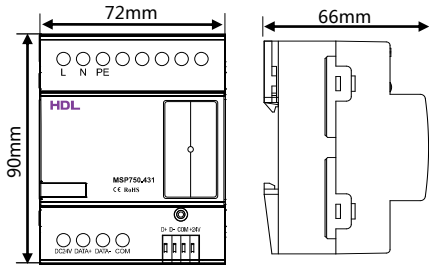


Figure 2. Dimensions - Front View
图 2. 尺寸图 - 正面

Figure 3. Dimensions - Side View
图 3. 尺寸图 - 侧面

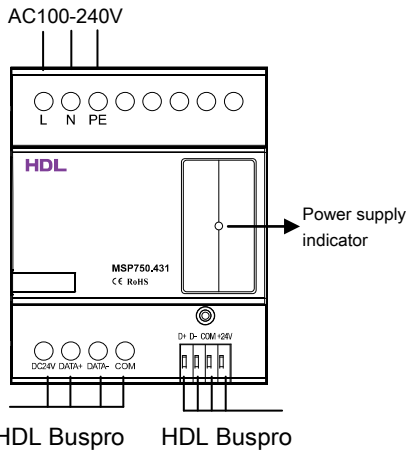


Figure 4. Wiring
图 4. 接线图

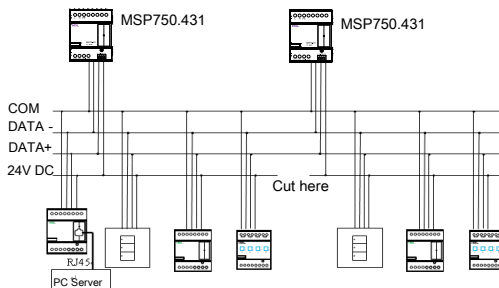


Figure 5. Wiring
图 5. 接线图

Overview

750mA Power Supply Module (See Figure 1) can provide 24V DC voltage, 750mA current with 2 connection types. The total current can reach 750mA.

Functions

- Protection: Short circuit and over current protection
- Voltage Supply: 24V DC
- Ripple Wave: Less than 150mV

Important Notes

- Buspro cable - CAT5E or HDL Buspro/KNX cable
- Buspro connection - Series connection (hand-in-hand)
- When two or more power supply modules are needed, they should be parallel connected. And the 24V DC terminals of the power supply modules should be disconnected.

Product Information

Dimensions - See Figure 2 - 3

Wiring - See Figure 4 - 5

Installation - See Figure 6 - 8

- Step 1. Fix the din rail with screws.
- Step 2. Buckle the bottom cap of the 750mA Power Supply Module on the edge of the din rail.
- Step 3. Press the device on the din rail, slide it and fix it up until an appropriate position is adjusted.

Safety Precautions

- The installation and commissioning of the device must be carried out by HDL or the organization designated by HDL. For planning and construction of electric installations, the relevant guidelines, regulations and standards of the respective country are to be considered.
- The device should be installed with Din rail in DB box. HDL does not take responsibility for all the consequences caused by installation and wire connection that are not in accordance with this document.
- Please do not privately disassemble the device or change components, otherwise it may cause mechanical failure, electric shock, fire or body injury.
- Please resort to our customer service department or designated agencies for maintenance service. The warranty is not applicable for the product fault caused by private disassembly.

Package Contents

HDL-MSP750.431*1 / Buspro connector*1 / Label*5 / Datasheet*1

产品概述

750mA系统电源 (见图1) 提供24V直流电压, 750mA电流。支持2种连接方式, 总电流750mA。

功能说明

- 保护: 具有短路, 过流保护
- 供电: 24V DC
- 纹波: 小于150mV

注意事项

- 总线 - CAT5E或者HDL Buspro/KNX
- 总线连接 - 手拉手连接
- 系统需要多个电源模块供电时, 注意要连接正确。可以接两个电源, 但是需要断开24V连接

产品信息

产品尺寸 - 见图 2 - 3

接线图 - 见图 4 - 5

设备的安装 - 见图 6 - 8

- 步骤1. 用螺丝固定导轨。
- 步骤2. 将750mA系统电源模块底盖的一端扣到导轨的边上。
- 步骤3. 将整个模块压到导轨上, 并滑动模块直至调整到合适的位置则固定下来。

安全警告

- 本设备的安装及调试工作必须由我司或我司指派的机构进行。其电气安装的计划和施工, 必须遵守当地相关的安全标准和法规。
- 该产品需以导轨安装方式, 安装在配电箱里, 未按照本说明书进行安装及接线方式的, 所造成的一切后果皆与我司无关。
- 请不要私自拆装或更换零部件, 否则可能会导致机械故障、电击、火灾或身体伤害。
- 请将一切维修工作交由我司售后部门或指定机构进行, 本产品的保修范围不适用于因用户拆卸产品而导致的故障。

装箱清单

HDL-MSP750.431*1 / 总线端子*1 / 标签纸*5 / 说明书*1



Figure 6 / 图 6

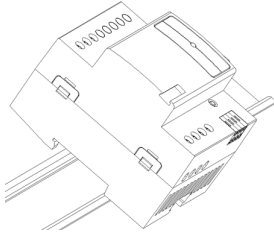


Figure 7 / 图 7

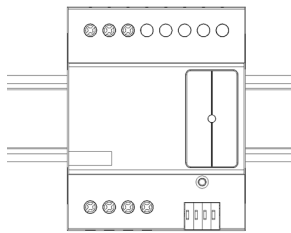


Figure 8 / 图 8

Figure 6 - 8. Installation
图 6 - 8. 安装图

EN

Technical Data

Electrical Parameters

Input voltage	AC100-240V(50/60Hz)
Output current	750mA
Output voltage	24V DC
Output ripple wave	Less than 150mV

External Environment

Working temperature	-5°C~45°C
Working relative humidity	≤90%
Storage temperature	-20°C~60°C
Storage relative humidity	≤93%

Specifications

Dimensions	72mm×90mm×66mm
Net weight	188g
Housing material	Nylon, PC
Installation	35mm DIN rail installation (See Figure 6 - 8)
Protection rating (Compliant with EN 60529)	IP20

Name and Content of Hazardous Substances in Products

Components	Hazardous substances					
	Lead (Pb)	Mercury (Hg)	Cadmium (Cd)	Chromium VI (Cr (VI))	Poly-brominated biphenyls (PBB)	Poly-brominated diphenyl ethers (PBDE)
Plastic	o	o	o	o	o	o
Hardware	o	o	o	o	-	-
Screw	o	o	o	x	-	-
Solder	x	o	o	o	-	-
PCB	x	o	o	o	o	o

The symbol "-" indicates that the hazardous substance is not contained.

The symbol "o" indicates that the content of the hazardous substances in all the homogeneous materials of the component is below the limit requirement specified in the Standard IEC62321-2015.

The symbol "x" indicates that the content of the hazardous substance in at least one of the homogeneous materials of the part exceeds the limit requirement specified in the Standard IEC62321-2015.

HDL Buspro Cable Guide

HDL Buspro	HDL Buspro/KNX	CAT5/CAT5E
DATA+	Yellow	Blue/Green
DATA-	White	Blue White/Green White
COM	Black	Brown white/ Orange white
24V DC	Red	Brown/Orange

ZH

技术参数

电气参数

输入电压	AC100-240V(50/60Hz)
输出电流	750mA
输出电压	24V DC
输出纹波	少于150mV

外部环境

工作温度	-5°C~45°C
工作相对湿度	≤90%
储存温度	-20°C~60°C
储存相对湿度	≤93%

产品规格

尺寸	72mm×90mm×66mm
净重	188g
外壳材料	尼龙, PC
安装方式	35mm 丁导轨安装 (见图6-8)
防护级别 (符合 EN 60529)	IP20

产品中有害物质的名称及含量

部件名称	有害物质					
	铅 (Pb)	汞 (Hg)	镉 (Cd)	六价铬 (Cr (VI))	多溴联苯 (PBB)	多溴二苯醚 (PBDE)
塑胶组件	o	o	o	o	o	o
五金铜件	o	o	o	o	-	-
螺丝组件	o	o	o	x	-	-
焊锡	x	o	o	o	-	-
PCB组件	x	o	o	o	o	o

- : 表示不含有该有害物质。

o : 表示该有害物质在该部件所有均质材料中的含量均在IEC62321-2015规定的限量要求以下。

x : 表示该有害物质至少在该部件的某一均质材料中的含量超出IEC62321-2015规定的限量要求。

总线定义

HDL Buspro	HDL Buspro/KNX	CAT5/CAT5E
DATA+	黄	蓝/绿
DATA-	白	蓝白/绿白
COM	黑	棕白/ 橙白
24V DC	红	棕/橙

技术支持
服务热线：020-85820195
(工作时间：9:00-12:00, 13:00-18:00, 星期一至星期五)
邮箱：kfb@hdlchina.com.cn
网址：http://www.hdlchina.com

Technical support
E-mail: support@hdlchina.com.cn
Website: https://www.hdlautomation.com

©Copyright by HDL Automation Co., Ltd. All rights reserved.
Specifications subject to change without notice.